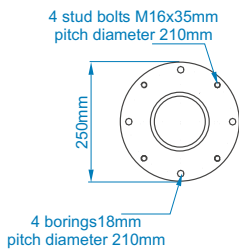
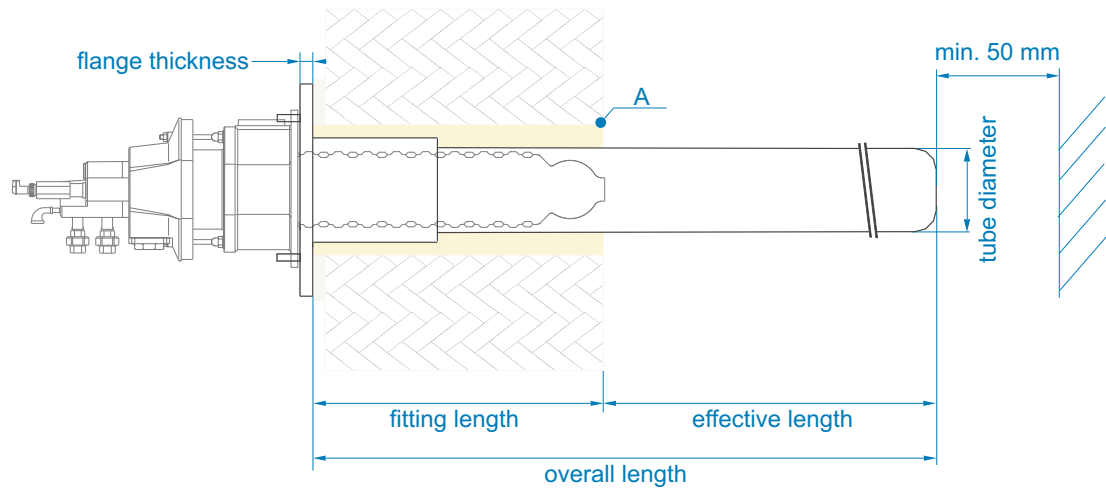
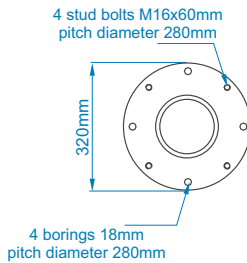


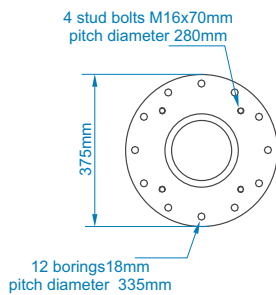
Specifications SiSiC radiant tubes



C100



C150



CX200

tube diameter [mm]	overall length [mm]	effective length [mm]
100	950	450
100	1250	750
100	1400	900
100	1650	1150

145	1250	750
145	1500	1000
145	1650	1150
145	1850	1350
145	2000	1500
145	2400	1900

195	1500	1000
195	1750	1250
195	1850	1350
195	2000	1500
195	2400	1900



A:

Attention!
Take care that the furnace refractory does not apply pressure on the radiant tube during installation or operation check for proper installation and verify the angle of the flange.

effective length: is valid for a fitting length of 20"

Please see our general remarks about technical data.